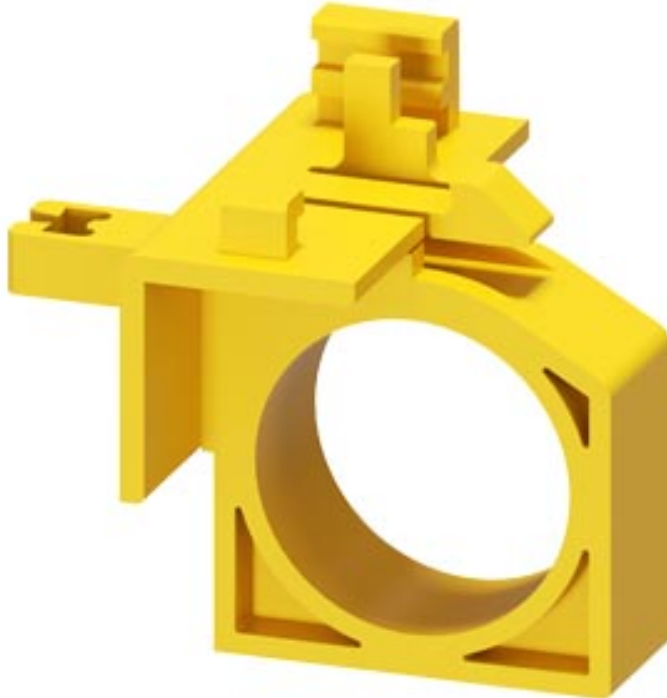


CONTROL KIT,



General technical data:

product brandname		SIRIUS
Product designation		control kit
Protection class IP		IP20
Relative humidity during operation	%	10 ... 90
Ambient temperature		
• during transport	°C	-55 ... +80
• during storage	°C	-55 ... +80
• during operation	°C	-20 ... +60
Equipment marking acc. to DIN EN 61346-2		K
Equipment marking acc. to DIN 40719 extended according to IEC 204-2 acc. to IEC 750		K

Installation/ mounting/ dimensions:

Width	mm	44.8
Height	mm	40
Depth	mm	23.4

Certificates/ approvals:

Certificate of suitability		IEC / EN 60947-6-2
----------------------------	--	--------------------

General Product Approval	EMC	Declaration of Conformity	other	
--------------------------	-----	---------------------------	-------	--



[Environmental Confirmations](#)

[Confirmation](#)

Further information

Information- and Downloadcenter (Catalogs, Brochures,...)

<http://www.siemens.com/industrial-controls/catalogs>

Industry Mall (Online ordering system)

<http://www.siemens.com/industrymall>

Cax online generator

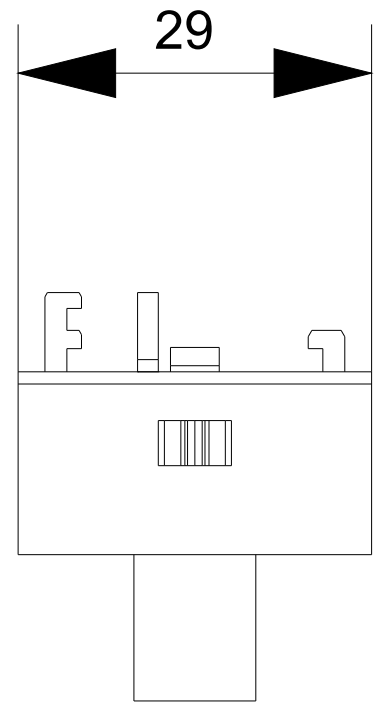
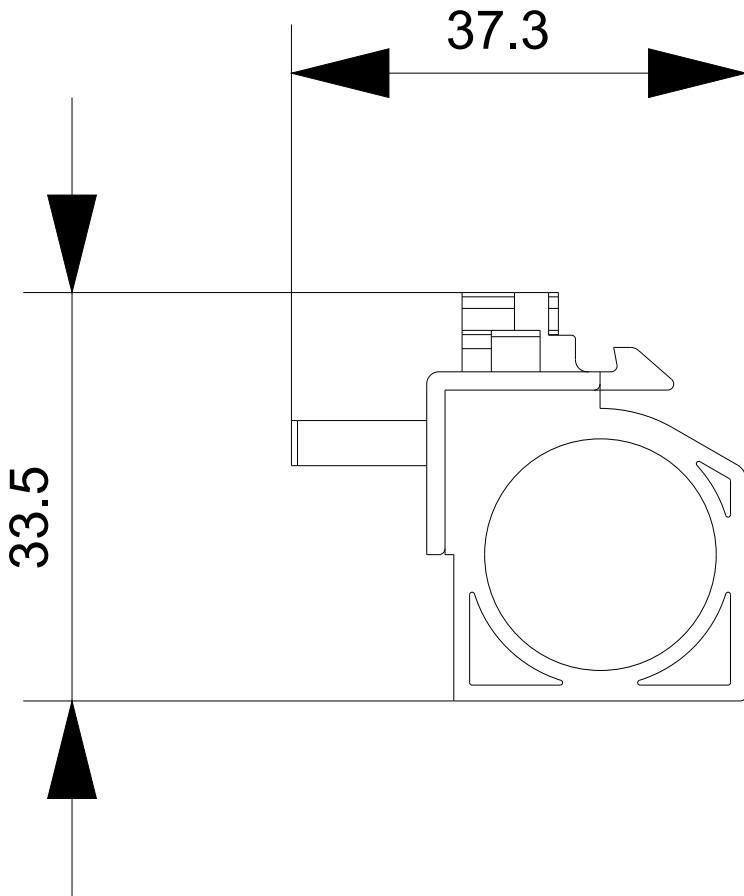
<http://support.automation.siemens.com/WW/CAXorder/default.aspx?lang=en&mfb=3RA6950-0A>

Service&Support (Manuals, Certificates, Characteristics, FAQs,...)

<https://support.industry.siemens.com/cs/ww/en/ps/3RA6950-0A>

Image database (product images, 2D dimension drawings, 3D models, device circuit diagrams, EPLAN macros, ...)

http://www.automation.siemens.com/bilddb/cax_de.aspx?mfb=3RA6950-0A&lang=en



last modified:

07/01/2017